

SSC3088AS SUPERSTEAM+ OVEN INSTALLATION MANUAL

SPECIAL WARNING

INSTALLATION AND SERVICE MUST BE PERFORMED BY A QUALIFIED INSTALLER.

IMPORTANT: SAVE THIS INSTALLATION MANUAL FOR LOCAL ELECTRICAL INSPECTOR'S USE.

READ AND SAVE THESE INSTRUCTIONS FOR FUTURE REFERENCE.

CLEARANCES AND DIMENSIONS

For SAFETY CONSIDERATIONS do not install oven in any combustible cabinetry which is not in accord with the stated clearances and dimensions on page 4, Figure 2 or page 7, Figure 7.

UNPACKING YOUR OVEN

- Remove all packing materials from inside the oven.
- Check the oven for any damage, such as misaligned or bent oven, damaged oven seals and sealing surfaces or dents inside the cavity or on the front side of the oven. If there is any damage, do not operate the oven and contact your dealer or a SHARP AUTHORIZED SERVICER.

IMPORTANT NOTES TO THE INSTALLER

- Read all of the Installation Manual before installing the oven.
- Remove all packing material before connecting the electrical supply.
- Observe all governing codes and ordinances.
- Be sure to leave these instructions with the consumer.

IMPORTANT NOTES TO THE CONSUMER

Keep this manual with your Operation Manual for future reference.

- As when using any oven generating heat, there are certain safety precautions you should follow. These are listed in the Operation Manual. Read all and follow carefully.
- This oven should only be installed and grounded properly by a qualified installer or service technician.

IMPORTANT SAFETY INSTRUCTIONS

⚠ WARNING If the information in this manual is not followed exactly, a fire or electrical shock may result that could cause property damage, personal injury or death.

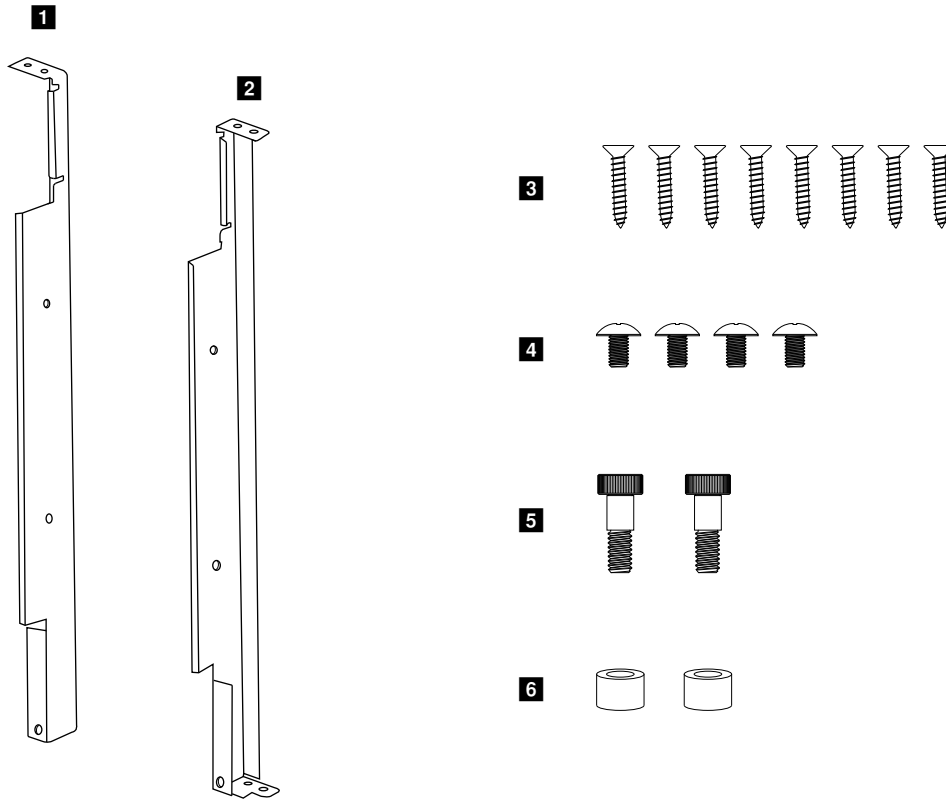
- This oven must be electrically grounded in accordance with local codes.
- Do not install this oven if the surrounding wall coverings and the cabinets cannot withstand the heat generated by the oven.

⚠ WARNING Never leave children alone or unattended in the area where a oven is in use.

- **Do not use the Oven as a storage space.** This creates a potentially hazardous situation.

INSTALLATION HARDWARE

ITEM	NAME	QTY	PART CODE
1	Left Mounting Bracket	1	LANGTB372MRP0
2	Right Mounting Bracket	1	LANGTB378MRP0
3	Wood Screws	8	XTSS740P20000
4	Mounting Bolts	4	LX-CZB069MRE0
5	Shoulder Bolts	2	LX-CZB068MRE0
6	Shoulder Bolt Sleeves	2	PCOVPB226MRE0



OVEN MEASUREMENTS

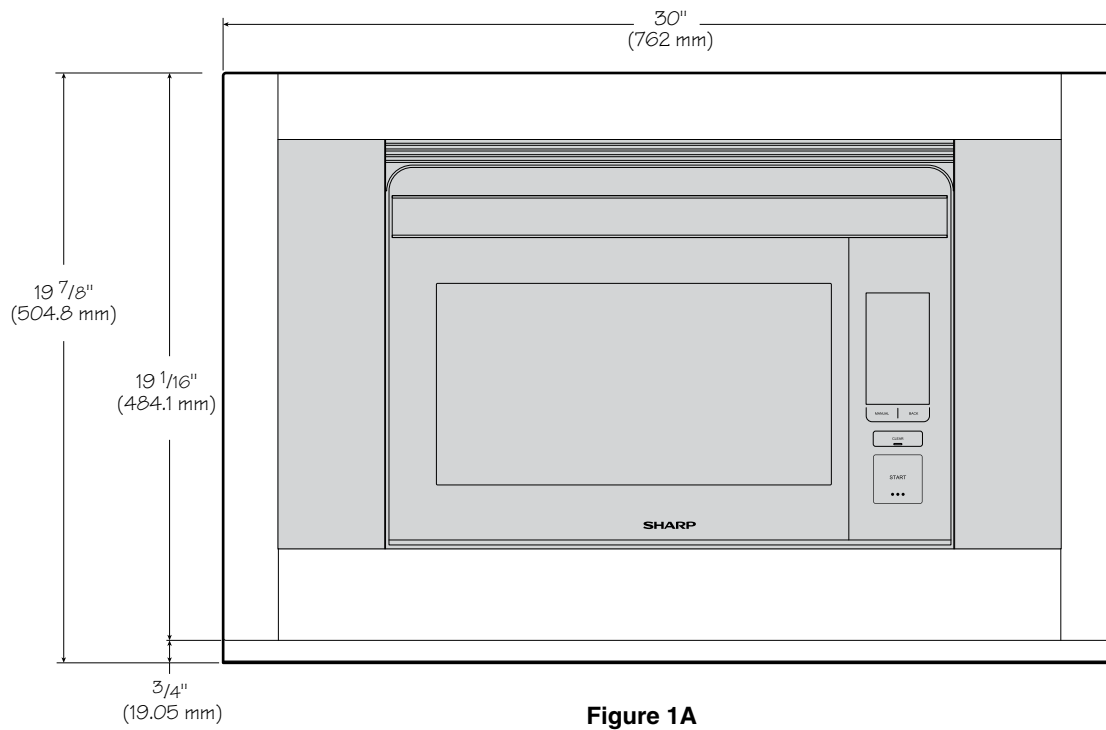


Figure 1A

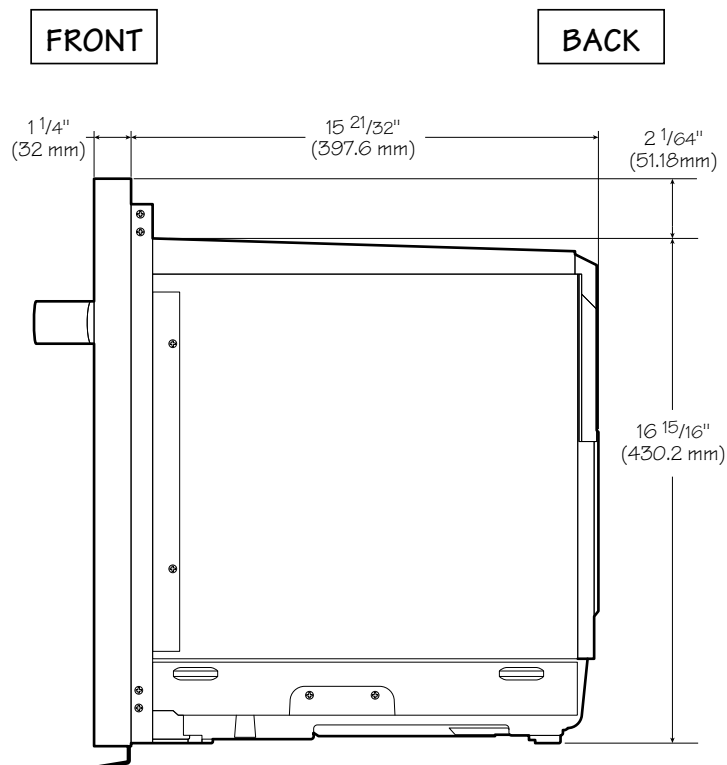


Figure 1B

CLEARANCES AND DIMENSIONS FOR STANDARD SURFACE MOUNT

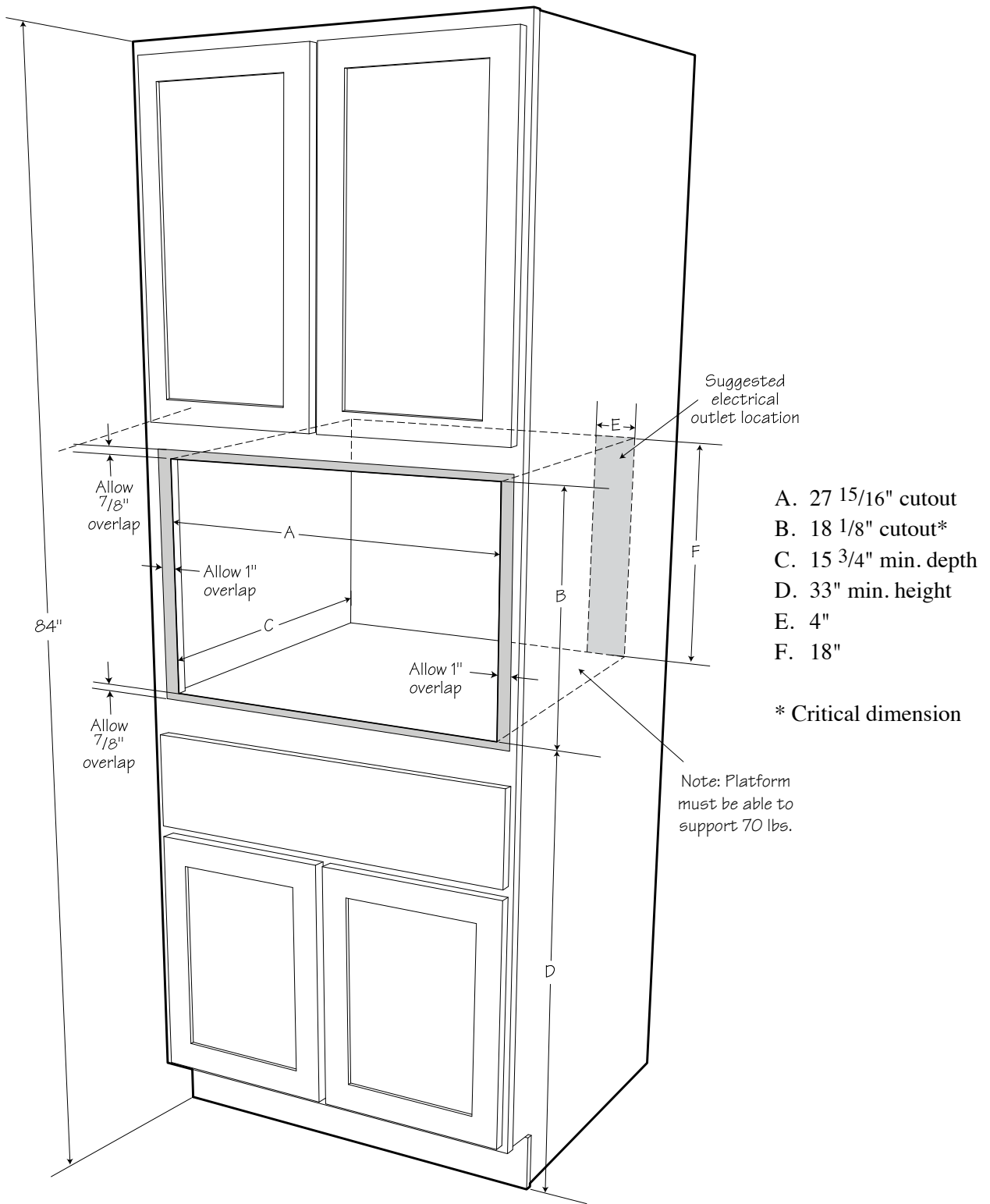


Figure 2

INSTALLATION INSTRUCTIONS FOR STANDARD SURFACE MOUNT

1. Mounting brackets should be installed with the 8 wood screws provided, $19\frac{1}{4}$ " apart from each other and centered in the cabinet opening. Locate position, center punch and drill pilot hole $\frac{1}{8}$ ". See Figure 3.

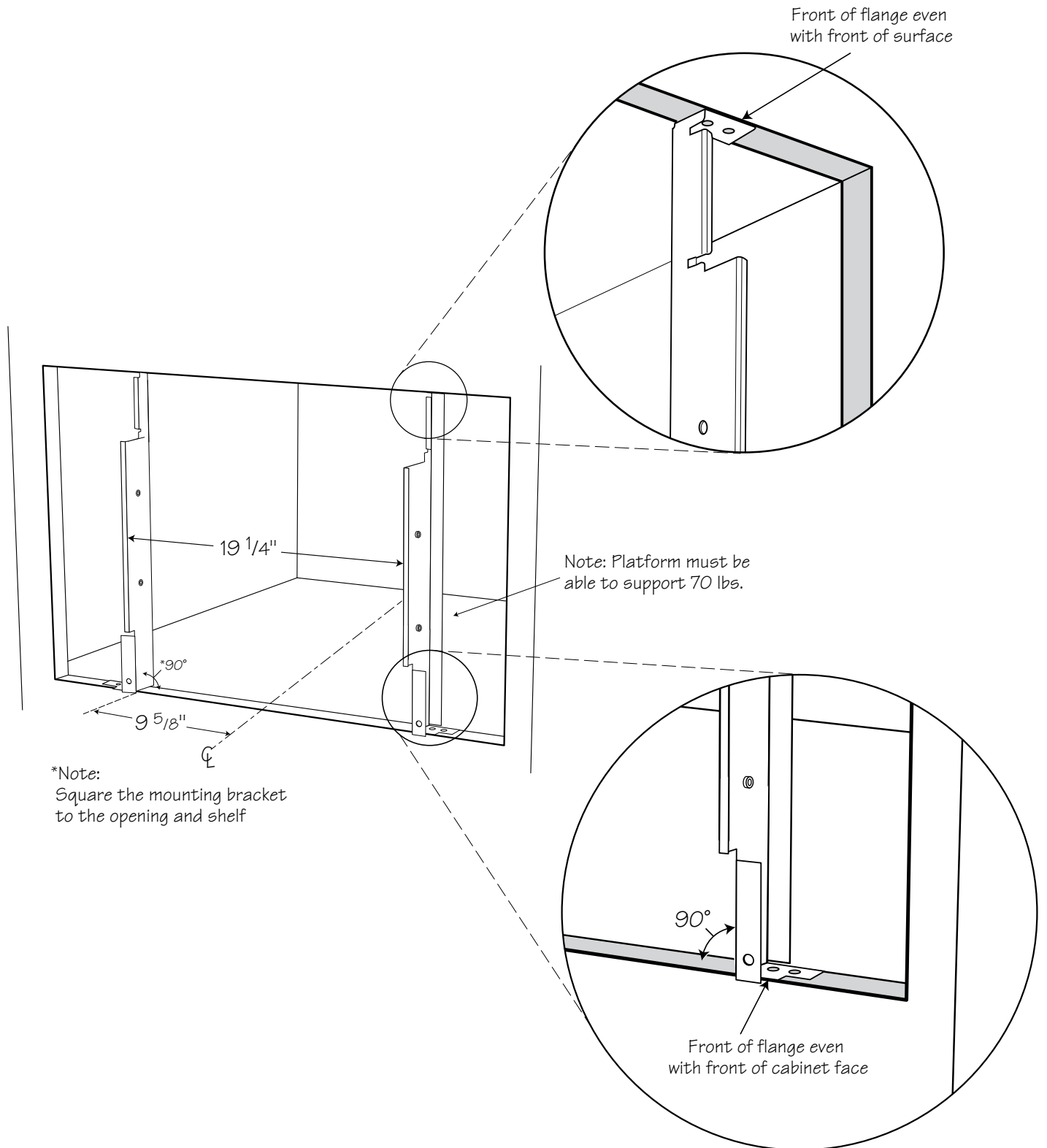


Figure 3

INSTALLATION INSTRUCTIONS FOR STANDARD SURFACE MOUNT

WARNING Always take caution lifting heavy products.

2. Use a minimum of 2 people to lift and install oven.
Place the oven adjacent to the cabinet opening, see Figure 4.
Plug the power supply cord into the electrical outlet.
3. Carefully guide the oven between the mounting brackets. Avoid pinching the cord between the oven and the brackets.
4. Slide the oven all the way back until the oven frame is seated against the cabinet and the mounting brackets.

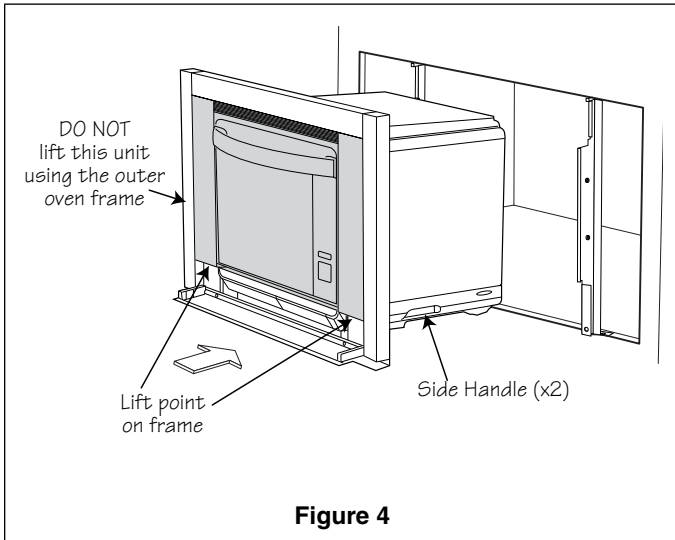


Figure 4

5. Open the oven door and insert the 4 mounting bolts supplied.
Do not completely tighten.

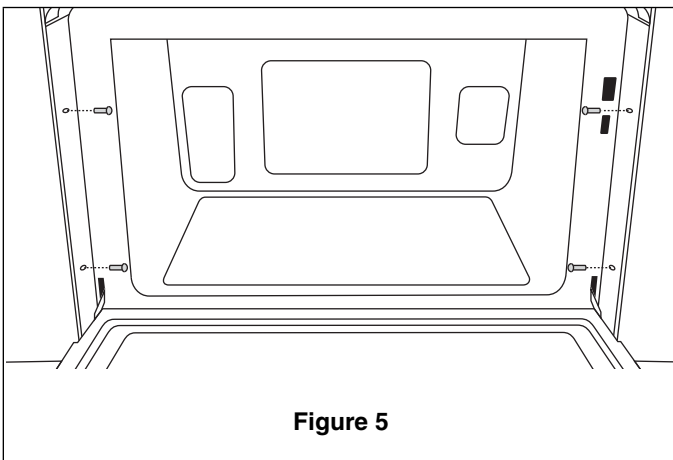


Figure 5

6. Open the drip tray door and insert the 2 shoulder bolts supplied.
See Figure 6. Do not completely tighten.

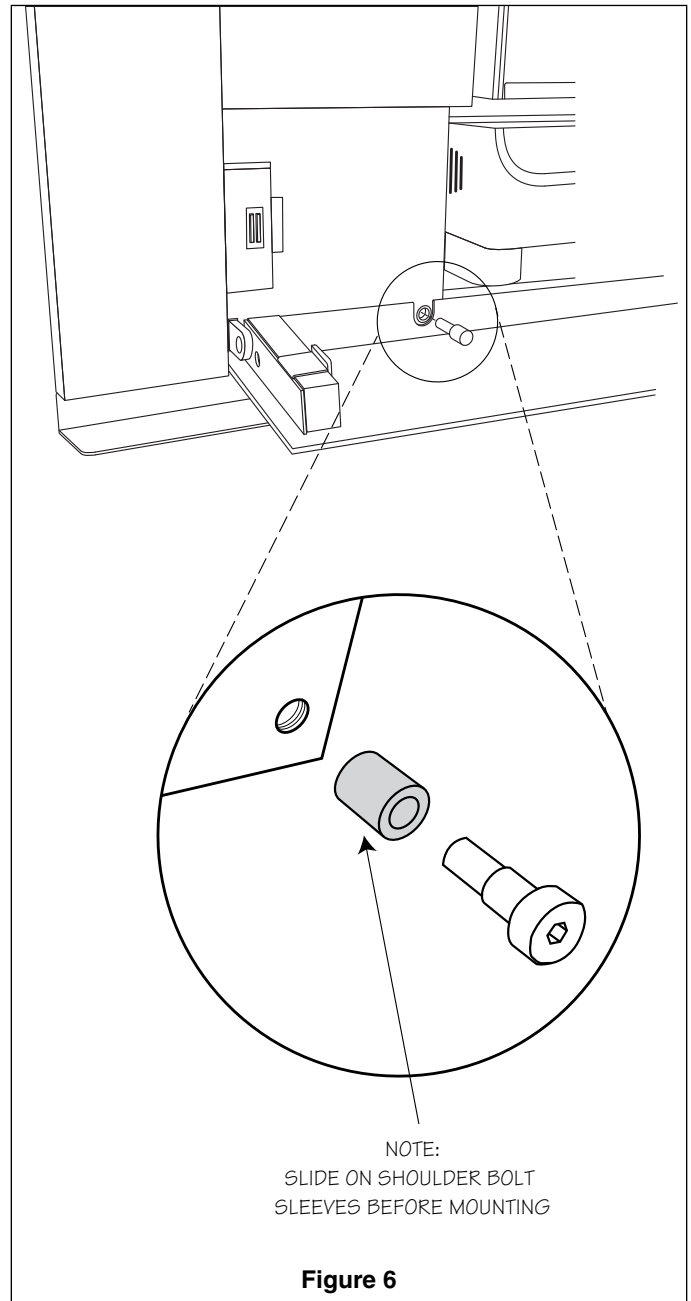
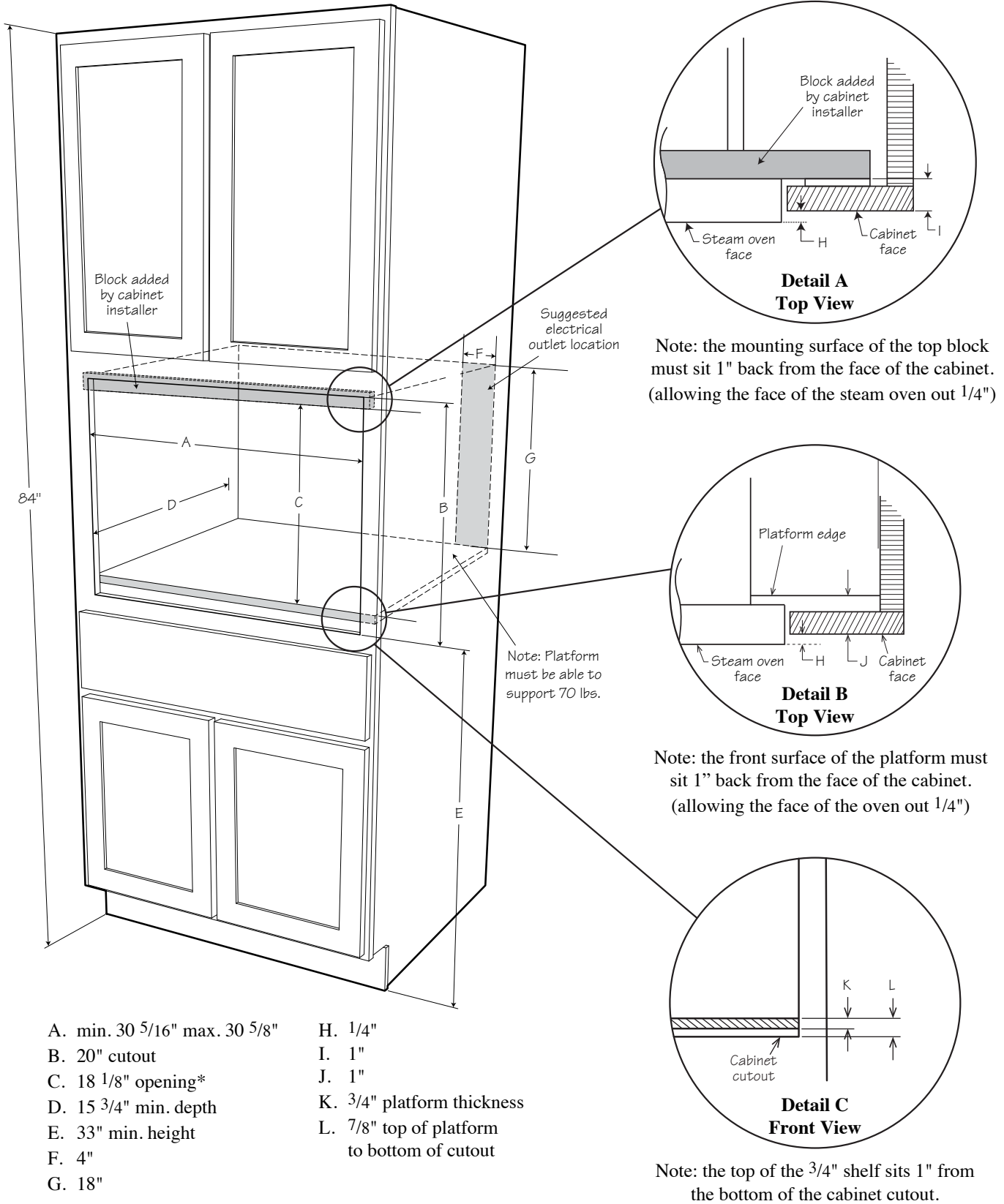


Figure 6

7. Check alignment of oven then tighten the 4 mounting bolts in Figure 5 and the 2 shoulder bolts in Figure 6 to secure oven.

CLEARANCES AND DIMENSIONS FOR FLUSH MOUNT



* Critical dimension

Figure 7

INSTALLATION INSTRUCTIONS FOR FLUSH MOUNT

1. Install mounting brackets 19 1/4" with the 8 wood screws provided. Locate position, center punch and drill pilot hole 1/8". See Figure 8.

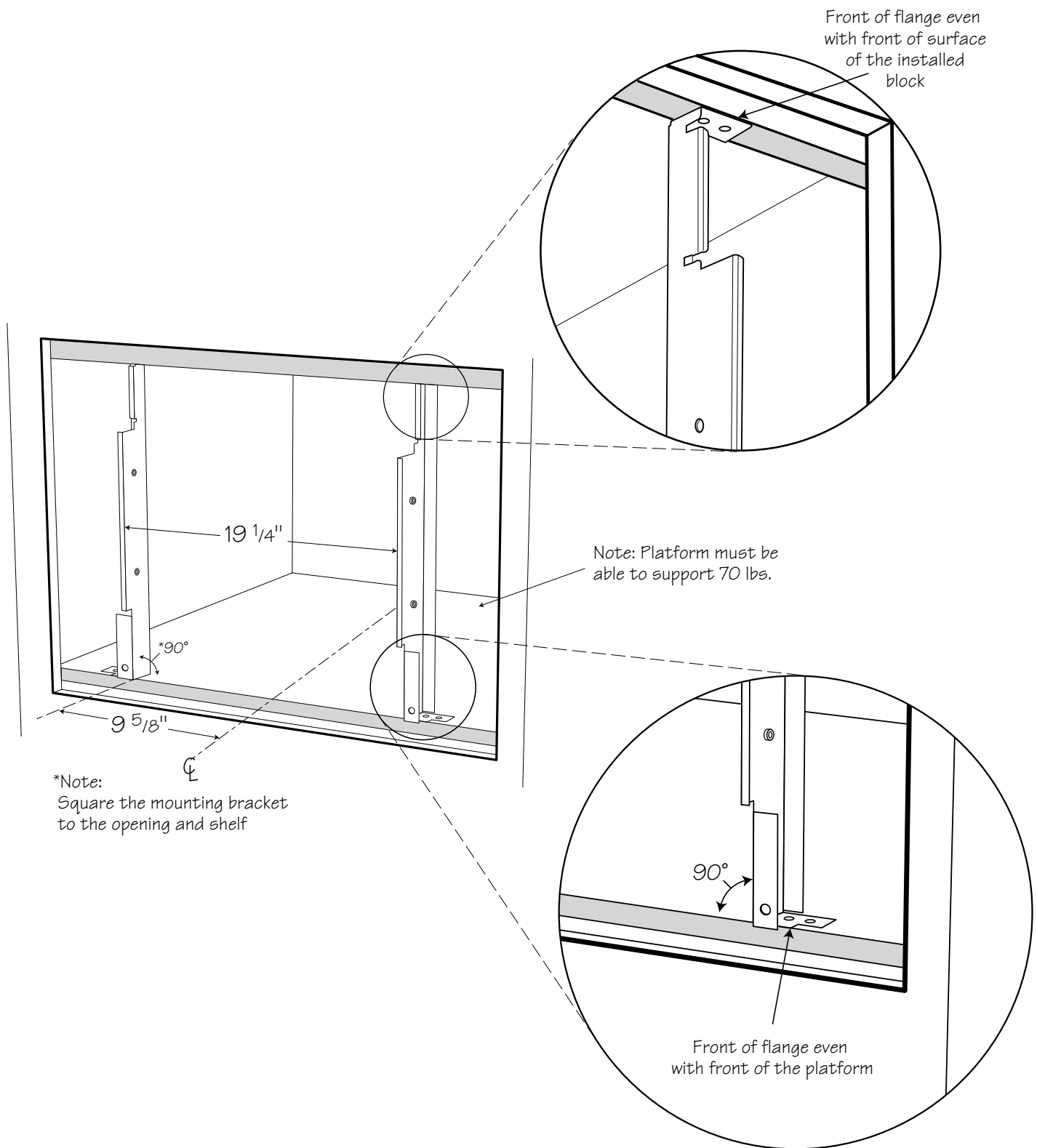


Figure 8

INSTALLATION INSTRUCTIONS FOR FLUSH MOUNT

WARNING Always take caution lifting heavy products.

2. Use a minimum of 2 people to lift and install oven.

Place the oven adjacent to the cabinet opening, see Figure 9. Plug the power supply cord into the electrical outlet.

3. Carefully guide the oven between the mounting brackets. Avoid pinching the cord between the oven and the brackets.

4. Slide the oven all the way back until the oven frame is seated against the cabinet and the mounting brackets.

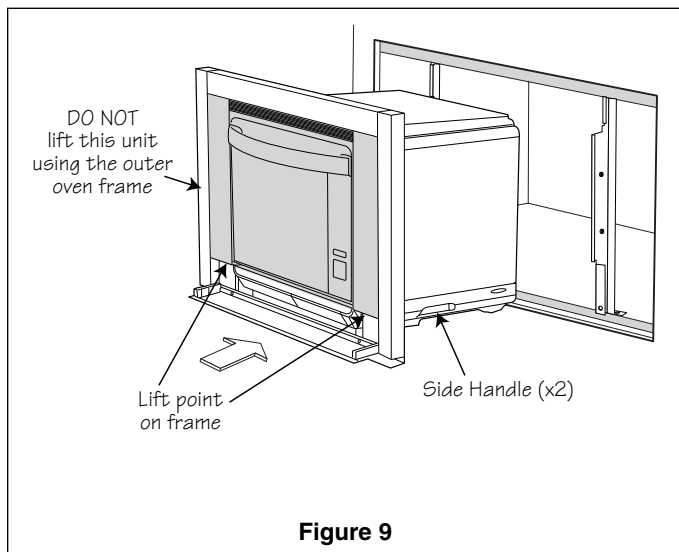


Figure 9

5. Open the oven door and insert the 4 mounting bolts supplied. Do not completely tighten.

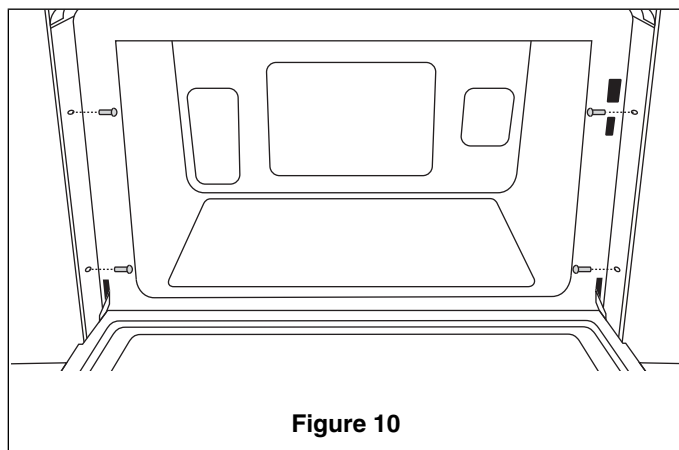


Figure 10

6. Open the drip tray door and insert the 2 shoulder bolts supplied. See Figure 11. Do not completely tighten.

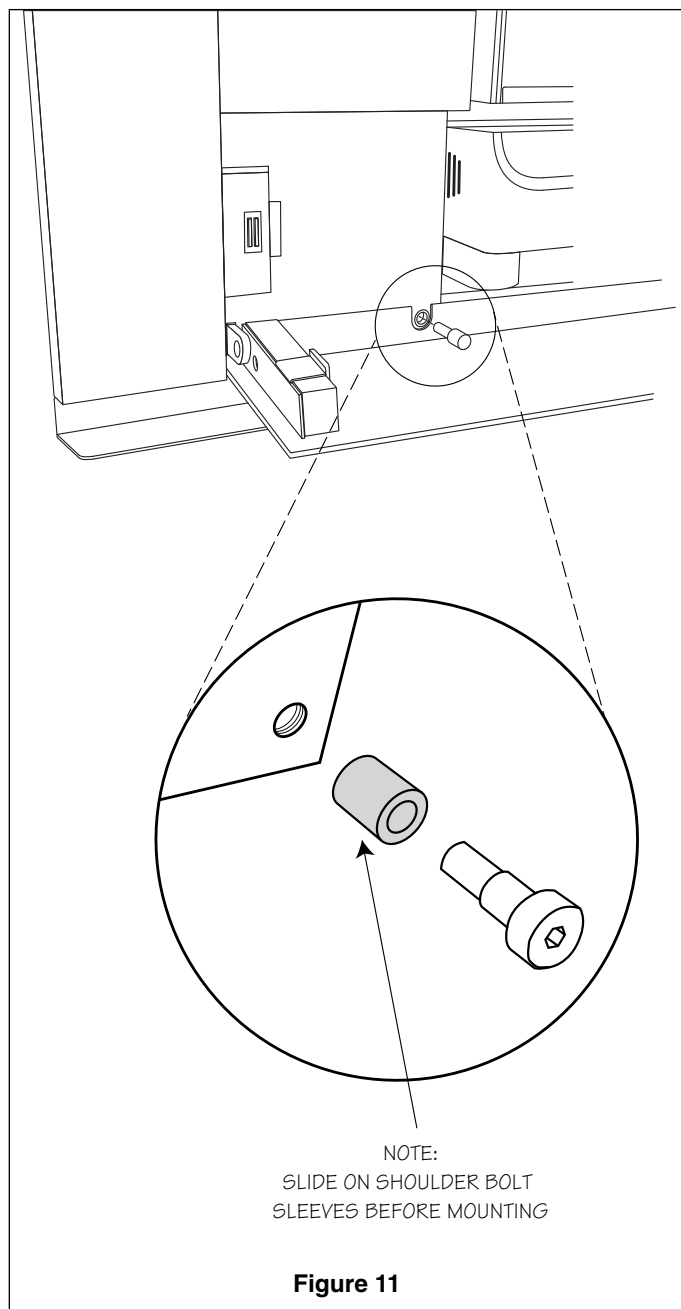


Figure 11

7. Check alignment of oven then tighten the 4 mounting bolts in Figure 10 and the 2 shoulder bolts in Figure 11 to secure oven.

ELECTRICAL OUTLET

The electrical requirements are a 120 volt 60 Hz, AC only, 15 amp. or more protected electrical supply. It is recommended that a separate circuit serving only this appliance be provided.

The oven is equipped with a 3-prong grounding plug. It must be plugged into a wall receptacle that is properly installed and grounded. Should you only have a 2-prong outlet, have a qualified electrician install a correct wall receptacle.

Note: If you have any questions about the grounding or electrical instructions, consult a qualified electrician or service person.

* *Can also be installed using an electrical outlet in an adjacent cabinet within the area where the provided electrical cord can reach.*

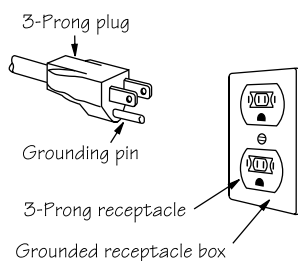
Always check electrical codes for requirements.

GROUNDING INSTRUCTIONS

This appliance must be grounded. The oven is equipped with a 3-prong plug which includes a grounding pin. It must be plugged into a wall receptacle that is properly installed and grounded in accordance with the National Electrical Code and local codes and ordinances. In the event of an electrical short circuit, grounding reduces risk of electric shock by providing an escape wire for the electric current.

⚠ WARNING – Improper use of the grounding plug can result in a risk of electric shock. **Do not use an extension cord. If the power supply cord is too short, have a qualified electrician or serviceman install an outlet near the appliance.**

Permanent and Correct Installation



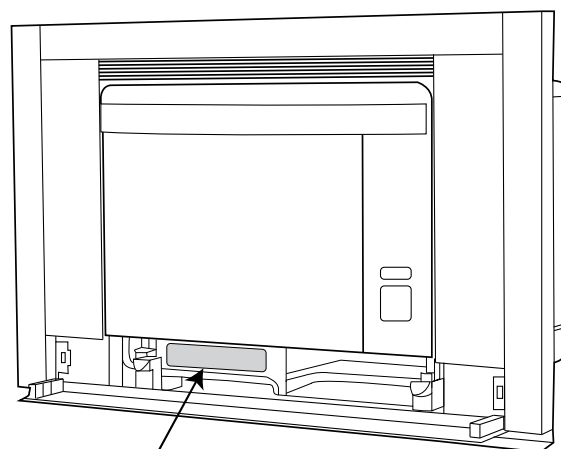
BEFORE YOU CALL FOR SERVICE

Read the BEFORE YOU CALL and operating instruction sections in your Operation Manual. It may save you time and expense. The list includes common occurrences that are not the result of defective workmanship or materials in this range.

Refer to the warranty in your Operation Manual for Sharp's toll-free service number and address. Please call or write if you have inquiries about your microwave product and/or need to order parts.

MODEL AND SERIAL NUMBER LOCATION

The model number and serial number are printed on the nameplate. To access the nameplate, open the drip tray door and remove the drip tray. The nameplate is located to the left of the reservoir.



Nameplate Location

CARE, CLEANING AND MAINTENANCE

Refer to the Operation Manual for cleaning instructions.

SHARP®

SHARP ELECTRONICS CORPORATION • 1 Sharp Plaza, Suite 1 • Mahwah, New Jersey 07495-1123 • USA

SHARP ELECTRONICS OF CANADA LTD • 335 Britannia Road East • Mississauga, ON L4Z 1W9 • Canada